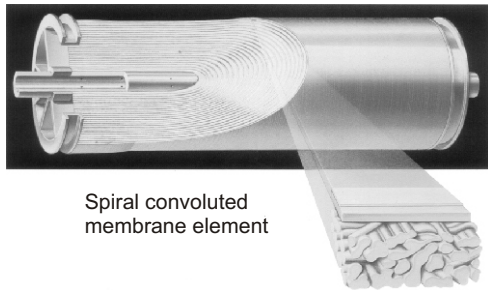


## HIGH EFFICIENCY REVERSE OSMOSIS SYSTEMS TYPE RO 300 GPD

Reverse osmosis is a natural process which essence of action is separating water particles from dissolved in it substances. The main part of system is membrane TFC, permeable only for water particles. Connecting it with mechanical and coal filters affords to get water with high purity and organic substances as well as viruses and bacteria.

Reverse osmosis doesn't require regeneration. Extraordinarily high porosity of membrane makes that it is the most effective known water treatment way.



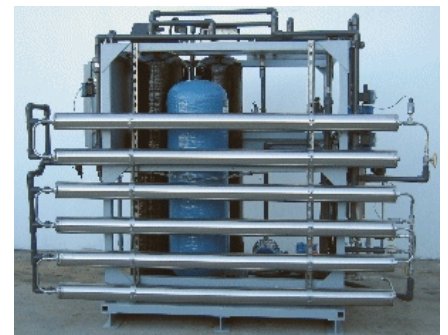
Spiral convoluted membrane element

### Reverse osmosis system is:

- simple and tested way for water treatment
- membrane complexes for obtaining highest effectiveness of desalination
- water with highest organoleptic and bacteriological parameters
- unlimited amount of getting water
- silent action
- economical control of flow using regulating valves, which allow to control treated water stream and recirculation.
- trouble-free and longtime using owing to resistant stainless steel membrane covers
- easy service
- possibility to increase efficiency by attaching additional membrane elements. You don't have to buy all new device to increase your production of clean water.



For every RO system we select individual processes pre- and post-water treatment for optimize systems



Multi-membrane reverse osmosis system

WATER TREATMENT FOR HOME AND INDUSTRY  
95-050 Konstaktyńów Łódzki , ul. Srebrzyńska 5/7  
tel: 42 211 20 64, 42 211 20 19 fax: 42 09 33 03  
e-mail: [proeko@proekojp.pl](mailto:proeko@proekojp.pl)

[www.proekojp.pl](http://www.proekojp.pl)

## RO systems technical data\*

No	KTM	membrane type/pcs	description	efficiency with 25 C GPD	efficiency with 25 C l/h	efficiency with 15 C l/h	efficiency with 10 C l/h	efficiency with 8 C l/h	power supply V
1	RO300GPD	2521/1	RO1155L/24h	300	48	39	30	24	230
2	RO600GPD	2521/2	RO2310L/24h	600	95	78	60	48	230
3	RO600GPD	2540/1	RO2310L/24h	600	95	78	60	48	230
4	RO800GPD	4021/1	RO3080L/24h	800	127	104	80	63	230
5	RO1000GPD	4021/1	RO3850L/24h	1000	158	130	100	79	230
6	RO1800GPD	4040/1	RO6930L/24h	1800	285	234	180	143	230
7	RO2000GPD	4040/2	RO7700L/24h	2000	317	260	200	158	380
8	RO4000GPD	4040/3	RO15400L/24h	4000	633	519	399	317	380
9	RO6000GPD	4040/4	RO23100L/24h	6000	950	779	599	475	380
10	RO8000GPD	4040/5	RO30800L/24h	8000	1267	1037	798	633	380
11	RO10000GPD	4040/5	RO38500L/24h	10000	1583	1297	998	792	380
12	RO12000GPD	4040/6	RO46200L/24h	12000	1900	1559	1197	950	380

\* In case of technical development, we reserve the right to change specifications

In choosing suitable RO system extremely important is adequate preparation of feeding water. Membrane effectivity announced above are for water temperature - 25°C. Temperature reduction every 1°C cause decrease of membrane's effectivity of 2-3%. For system working optimization it is necessary to use mechanical and carbon pre-filtration.

Lowering of lifeliness and effectivity causes also present in water iron and precipitating scale. For removing that factors we use iron removers and softeners to feeding water.

Using all of this devices allow to get full reliability and high liveliness of clean water system.

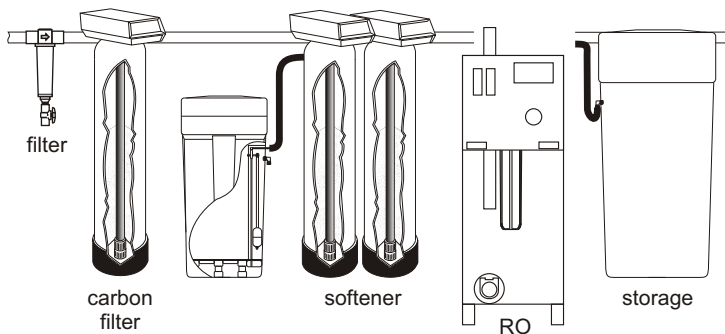
### We also offer devices:

- Water softeners & Iron removers
- Technical filters
- UV lamps
- Reverse osmosis
- Dosage systems
- Demineralizators
- Galvanic waste treatment

Components possess certificate TUV declaration of Conformity Council Directive EN filter certificate PZH



\* In case of technical development, we reserve the right to change specifications



Typical configuration of reverse osmosis water

