

SELECTIVE NITRATE REMOVING FILTER

for constant operation

series FNO3/D-130 - FNO3/D-1000
efficiency 3,2 - 41,0 l/h

Ground waters, which are situated near leaking cesspools or agriculture areas, may be polluted with nitrates. These ions have negative influence on human organism, they may be the reason for ischemic heart disease and tumors.

Nitrates are most often removed from water with the use of selective ion exchange resins anion exchangers. These resins are regenerated with salt (NaCl). The systems of this type should work constantly and be fully automatic.

Another way of nitrate (as well as other impurities) removing is partial water demineralization with reverse osmosis systems.

Advantages of our nitrate removing systems:

- * Corrosion-proof housing
- * Media lifetime till 20 years
- * High durability tanks
- * Fully automatic (time or volume control)
- * Low operating outlays
- * Water bypass in the control valve, making water flow during regeneration possible
- * Possibility to control the quantity of the salt, used for regeneration, ipso facto the quantity of water Between regenerations
- * Short regeneration time



| Model | | FNO1/D-110 | FNO1/D-130 | FNO1/D-210 | FNO1/D-300 | FNO1/D-500 | FNO1/D-700 | FNO1/D-1000 | |
|--------------------------------------|-------------------------------|------------------|------------|------------|----------------------|------------|------------|-------------|--|
| Media | Cation exchanger quantity [l] | 130 | 180 | 210 | 300 | 500 | 700 | 1000 | |
| | Type [inch] | 16 x 65 | 18 x 65 | 21 x 66 | 24 x 69 | 30 x 78 | 36 x 78 | 42 x 78 | |
| Valve type | | Magnum | | | | | | | |
| Regenerant tank | Volume [l] | 300 | 300 | 300 | 550 | 550 | 1000 | 1400 | |
| | Salt quantity [l] | 150 | 150 | 420 | 350 | 350 | 700 | 1000 | |
| Flow ¹ | Minimal [l/h] | 3,2 | 4,5 | 5,2 | 7,5 | 12,5 | 17,5 | 25 | |
| | Nominal [l/h] | 4,0 | 5,4 | 6,5 | 9,0 | 14,2 | 20,5 | 28,5 | |
| | Maximal [l/h] | 5,7 | 8,0 | 9,2 | 12,0 | 20,5 | 26,5 | 41 | |
| Ion exchange capacity | Max [val] | 260 | 360 | 50 | 600 | 1000 | 1400 | 2000 | |
| | Min [val] | 156 | 216 | 252 | 360 | 600 | 840 | 1200 | |
| Salt consumption ² | Max [kg] | 32,5 | 45 | 52,5 | 75 | 125 | 175 | 250 | |
| | Min [kg] | 10,4 | 14,4 | 16,8 | 24 | 40 | 56 | 80 | |
| Water quantity in cycle ³ | Max [l] | 87 | 120 | 140 | 200 | 333 | 466 | 690 | |
| | Min [l] | 52 | 72 | 84 | 120 | 200 | 280 | 420 | |
| Backwash capacity [l/min.] | | 6,5 | 9 | 10,5 | 15 | 25 | 35 | 45 | |
| Recommended backwash time [min.] | | 10 | | | | | 15 | | |
| Pressure drop ⁴ [bar] | | 0,2 | | | | | 0,3 | | |
| Working pressure [bar] | | 2 - 8 | | | | | | | |
| Feed water temperature [°C] | | 1 - 38 | | | | | | | |
| Power supply [V] | | 220/12 | | | | | | | |
| Water connection [inch] | | 1 ^{1/2} | | | 1 ^{1/2} / 2 | | | | |
| Filter dimensions | A [m]- height | 1,95 | 1,95 | 1,95 | 2,05 | 2,12 | 2,12 | 2,40 | |
| | B [m]- width | 0,40 | 0,45 | 0,53 | 0,6 | 0,75 | 0,9 | 1,1 | |
| Tank dimensions | C [m]- height | 1,06 | 1,06 | 1,06 | 1,14 | 1,14 | 1,14 | 1,14 | |
| | D [m]- width | 0,62 | 0,62 | 0,62 | 0,82 | 0,82 | 1,16 | 1,16 | |

Unit calculator:

3,8 liter/min = 1 GPM

1 inch = 2,54 cm

1 bar = 1 atm = 15 PSI

1 mval/liter = 5 °F = 2,8 °N = 50 mg CaCO₃/dm³

Explanations:

¹ for household purposes

² tablet salt

³ for nitrate contents of 150 mg/l. and sulfate contents of 20 mg/l (please contact Proeko in case of other values).

⁴ depending on water quality and flow

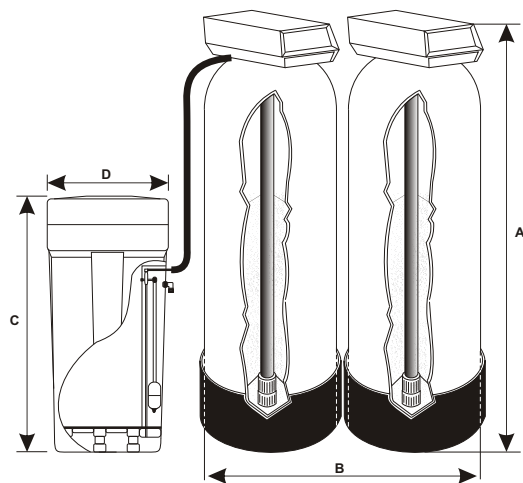
The components are TUV

and PZH certified, conform to the EU directives



We also offer:

- Softeners and Iron Removers
- Special filters
- UV lamps
- Reverse osmosis
- Chemicals dosing systems
- Demineralizers
- Galvanic waters treatment



*Due to the fast technology development we reserve the right to change technical data without prior notice