

# COMPACT SOFTENERS

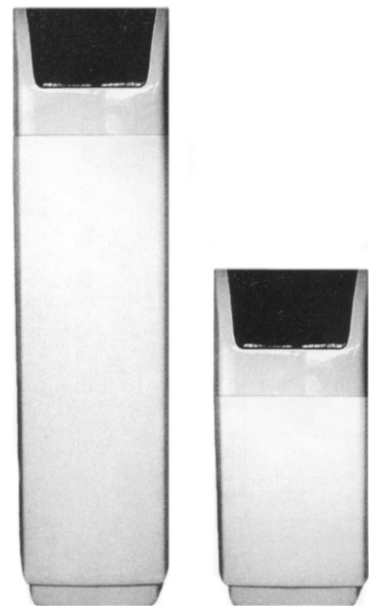
series WS-04 - WS-30  
efficiency 0,1 - 2,0 l./h

Water is necessary for both individuals and industry. Deteriorating water quality has caused its treatment one of the most important issues.

The most common water problem is the hardness, measured with the degree of calcium and magnesium ions dissolved. The compounds with these ions are the reason of scaling, which may cause (among other problems) energy loss of even 30 – 40%.

Our softeners' characteristics:

- \* Fully automatic
- \* Work in alternating or parallel system
- \* Corrosion-proof housings with 10-year warranty
- \* Media lifetime up to 20 years
- \* High reliability of the dosing systems for regeneration agent – longevity up to 3 years
- \* Low operating outlays
- \* Hardened, high-durability housing
- \* Possibility to control the quantity of the salt, used for regeneration, ipso facto the quantity of water between regenerations
- \* Water bypass in the control valve, making water flow during regeneration possible
- \* Short regeneration time (up to 2h at night)
- \* Best quality and reliability (warranty up to 3 years)



PROEKO WATER TREATMENT FOR HOME AND INDUSTRY  
95-050 Konstaktynow Łódzki , ul. Srebrzyńska 5/7  
tel: 42 211 20 64, 42 211 20 19 fax: 42 09 33 03  
e-mail: [proeko@proekojp.pl](mailto:proeko@proekojp.pl)

[www.proekojp.pl](http://www.proekojp.pl)



WATER TREATMENT

Model		WS-04	WS-06	WS-11	WS-15	WS-20	WS-25	WS-30
Media	Cation exchanger quantity [L]	4	6	11	15	20	25	30
	Type [inch]	7 x 13	7 x 17	8 x 17	7 x 35	8 x 35	9 x 35	10 x 35
Valve type		255	255	255	255	255	255	255
Regenerant tank	Volume [L]	10	15	13	37	35	33	30
	Salt quantity [L]	6	8	17	24	22	19	17
Flow <sup>I</sup>	Minimal [L/h]	0,1	0,15	0,2	0,4	0,5	0,6	0,7
	Nominal [L/h]	0,2	0,4	0,5	0,7	0,9	1,0	1,1
	Maximal [L/h]	0,4	0,9	1,2	1,5	1,7	1,8	2
Ion exchange capacity	Max [val]	8	12	16	30	40	50	60
	Min [val]	4,8	7,2	9,6	18	22	30	40
Salt consumption <sup>II</sup>	Max [kg]	1,0	2,3	2,5	4,5	6	7,5	9
	Min [kg]	0,3	0,9	1	1,8	2,4	3	3,6
Water quantity in cycle <sup>III</sup>	Max [L]	2,6	4	5,3	10	14	16,6	19
	Min [L]	1,6	2,4	3,2	6	8	10	13
Backwash capacity [L/min.]		3,8	4,5	5,3	5,3	6,0	6,0	6,8
Recommended backwash time [min.]		10						
Pressure drop [bar]		0,2			0,3			
Working pressure [bar]		1,8 - 8						
Feed water temperature [°C]		1 - 38						
Power supply [V]		12						
Water connection [inch]		1						
Dimensions	A [m]	0,40	0,67	0,67	1,12	1,12	1,12	1,12
	B [m]	0,40	0,40	0,40	0,40	0,40	0,40	0,40
	C [m]	0,30	0,30	0,30	0,30	0,30	0,30	0,30

Unit calculator:  
 3,8 liter/min = 1 GPM  
 1 inch = 2,54 cm.  
 1 bar = 15 PSI  
 1 mval/liter = 5 °F = 2,8 °d = 50 mg CaCO<sub>3</sub>/liter

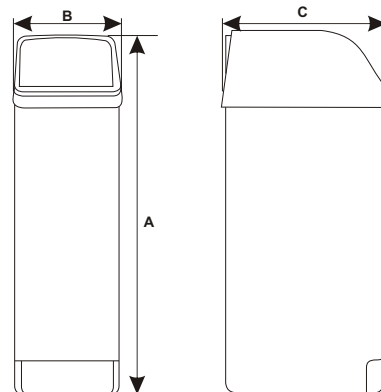
Explanations:  
<sup>1</sup> minimal flow recommended for use with boilers  
<sup>2</sup> for iron contents 1,0 mg/liter  
<sup>3</sup> depending on water quality and flow

**The components are TUV and PZH certified, conform to the EU directives**



**We also offer:**

- Softeners and Iron Removers
- Special filters
- UV lamps
- Reverse osmosis
- Chemicals dosing systems
- Demineralizers
- Galvanic waters treatment



\*Due to the fast technology development we reserve the right to change technical data without prior notice